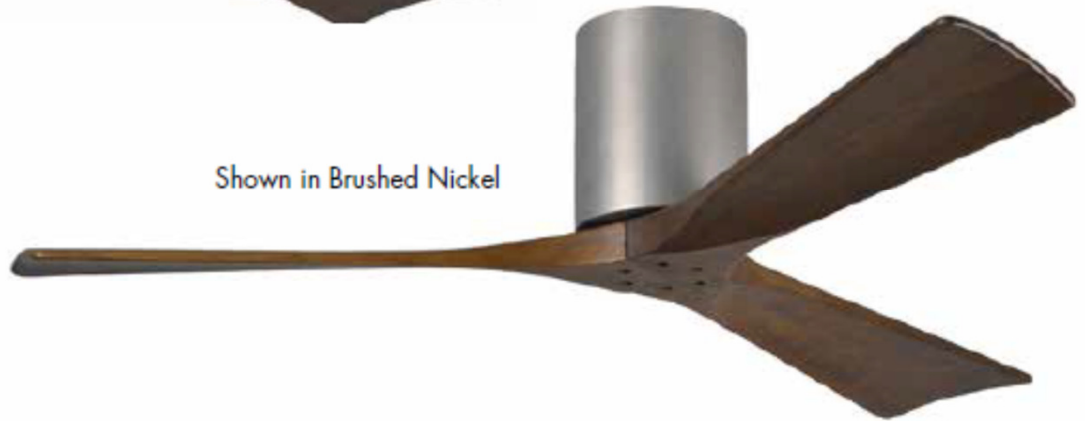


# IRENE-3H

Cutting a figure like no other, the Irene-3H rodless-style fan, is rustic, yet strikingly modern with three neatly joined, solid walnut-stained wooden blades. A cylindrical motor housing complements its minimal profile. Irene-3H is streamline while still appearing warm and natural.

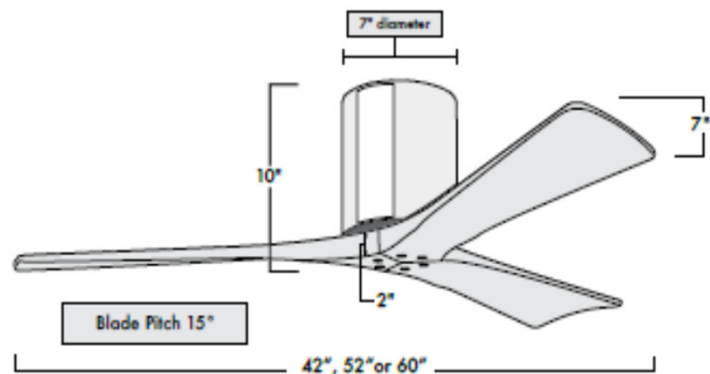


Shown in Textured Bronze



Shown in Brushed Nickel

- Three solid wood, walnut-stained machine-cut blades in 42"/107cm, 52"/132cm or 60"/152cm diameters
- Energy efficient, ultra-quiet, six-speed and reversible DC motor with new, reliable technology
- Damp location finishes: brushed nickel, polished chrome, textured bronze, matte black and gloss white
- Reverse on hand-held, wall mountable six-speed remote control
- Constructed of cast aluminum and heavy stamped steel
- Limited Lifetime Warranty
- Not suitable for coastal locations.



Airflow  
42"  
4,033 cm

Airflow  
52"  
6,140 cm

Airflow  
60"  
8,026 cm

