

IRENE-5H

Cutting a figure like no other, Irene-5H rodless-style fan, is rustic, yet strikingly modern with five neatly joined, solid walnut-stained wooden blades. A cylindrical motor housing complements its minimal profile. Irene-5H is streamline while still appearing warm and natural.



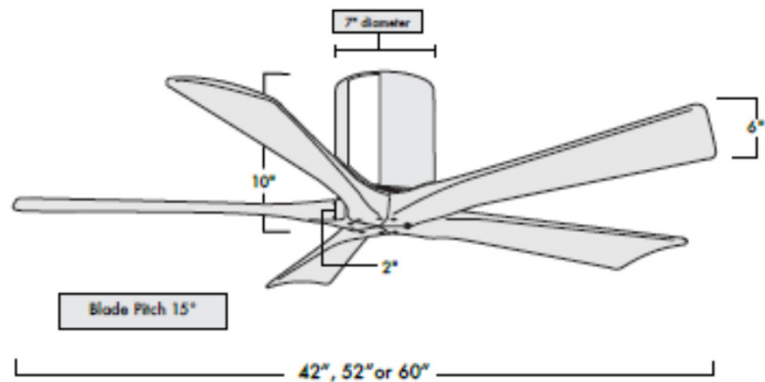
Shown in Textured Bronze



Shown in Brushed Nickel



- Five solid wood, walnut-toned machine-cut blades in 42"/107cm, 52"/132cm or 60"/152cm diameter
- Energy efficient, ultra-quiet, six-speed and reversible DC motor with new, reliable technology
- Reverse on hand-held, wall mountable remote control
- Constructed of cast aluminum and heavy stamped steel
- Limited Lifetime Warranty
- Not suitable for coastal locations.



Airflow
42"
4,692 cfm

Airflow
52"
6,050 cfm

