



White



Bright Brass



Brushed Nickel



Globe AdaptorsTM

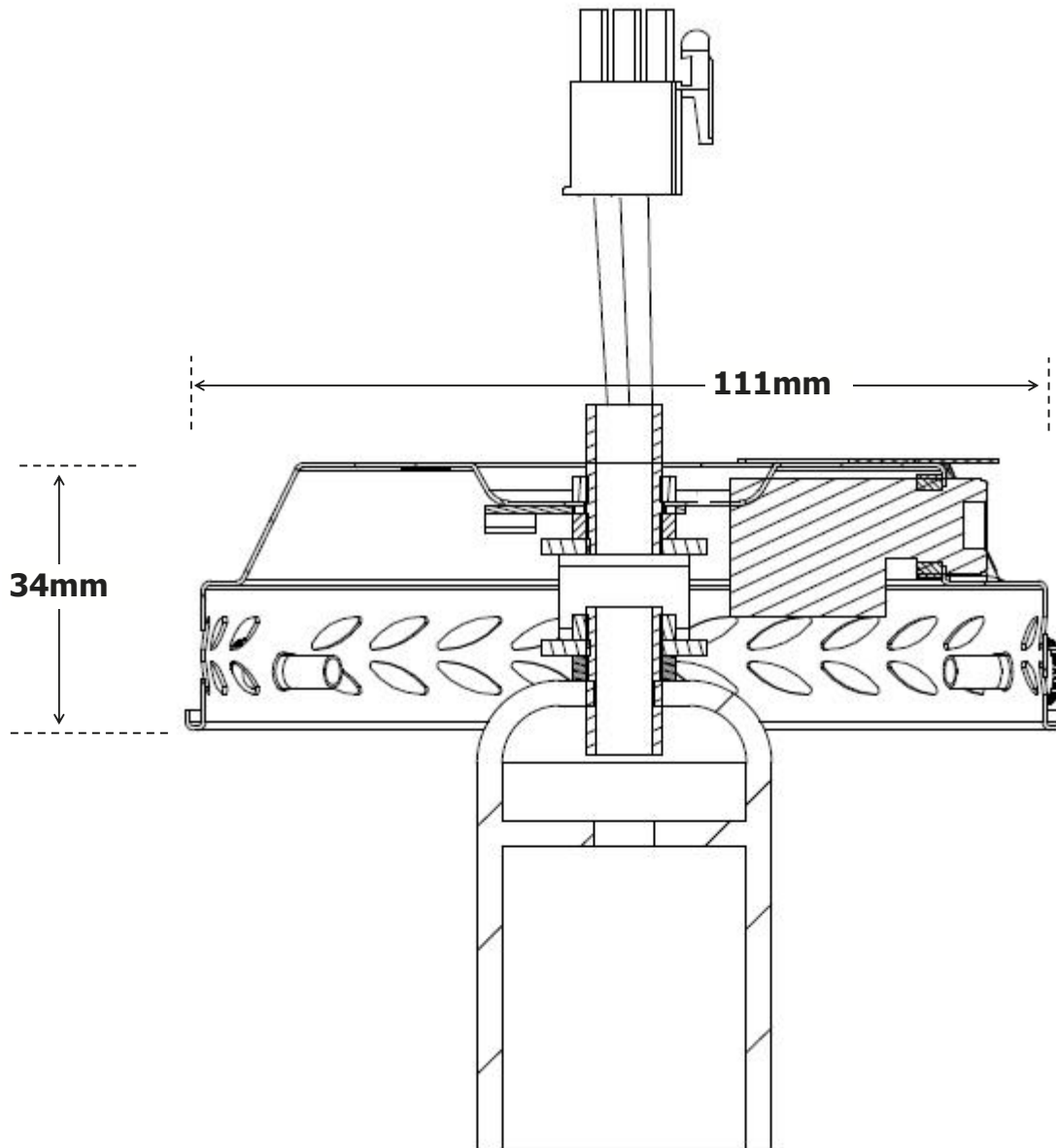
**4 1/4" Globe adaptor fitted with Hunter pull chain will suit most Hunter fans, and accommodate many different glass designs and sizes. Suitable for 1 x E27 energy efficient compact fluorescent light globes, or energy saving halogen options, dependant on the size of glass used.
(Glass and globes not included)**

24432: Globe Adaptor White

24434: Globe Adaptor Bright Brass

24435: Globe Adaptor Brushed Nickel

Globe Adaptors™



When fitted to a Hunter ceiling fan, this light kit will add 34mm **PLUS** the height of the glass to the overall height dimensions of the ceiling fan.

The Hunter Globe Adaptors can be connected easily to a Hunter ceiling fan, as the light has a plug connector which simply clips into the connector on the ceiling fan. This enables the light to be a DIY installation, if the fan is already installed.



This fan light connects to the ceiling fan using the two keyhole slots on top of the light, which connect to corresponding screw holes in the ceiling fan, ensuring a solid connection designed to minimise wobble of the light kit. NB: The threaded rod merely acts as a cable carrier.